



## **2.5" SATA HDD Enclosure**

**Compact and Powerful SATA HDD Storage Solution**

### **User's Manual**



The product information provided in this manual is subject to change without prior notice and does not represent a commitment on the part of the vendor. The vendor assumes no liability or responsibility for any errors that may appear in this manual

Copyright 2007, Onnto Corporation. All rights reserved.

# **2.5” SATA HDD Enclosure**

## **User’s Manual**

Introduction .....	3
Important Reminders for all Enclosures.....	3
Getting Started.....	4
System Requirements.....	4
Package Contents.....	4
USB2.0 HDD Enclosure Package Contents .....	4
eSATA/USB 2.0 HDD Enclosure Package Contents.....	5
Installing the HDD in the 2.5” SATA HDD Enclosure .....	5
Connecting the 2.5” SATA HDD Enclosure to a Host .....	8
USB 2.0 model .....	8
eSATA/USB 2.0 model.....	9
Using the DC Jack to USB Y-cable (USB 2.0/eSATA model only) .....	11
Notices and Classifications.....	12

## ***Introduction***

Thank you for your purchase of the 2.5" SATA Hard Disk Drive Enclosure. Your 2.5" SATA Hard Disk Drive Enclosure offers fast and reliable data transfer. Proper installation, care and use, as described in the User's Manual will ensure trouble-free use and prolong the life of your 2.5" SATA HDD Enclosure.

The installation instructions in this manual apply to the following models.

- USB 2.0
- eSATA/USB 2.0 Combo

***Please thoroughly read and follow the instructions provided in this manual. Failure to do so may result in damage to the 2.5" SATA HDD Enclosure and any or all of the connected devices.***

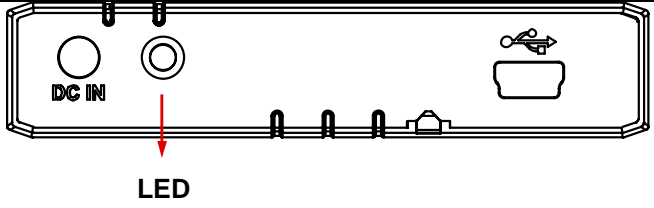
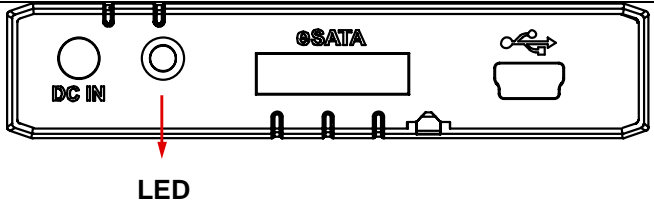
### **Important Reminders for all Enclosures**

- The main circuit board of 2.5" SATA HDD Enclosure is susceptible to static electricity. Proper grounding is required to prevent electrical damage to 2.5" SATA HDD Enclosure or other connected devices, including the computer host. Always place 2.5" SATA HDD Enclosure on a smooth surface and avoid all dramatic movement, vibration and percussion.
- Do NOT allow water to enter 2.5" SATA HDD Enclosure.
- Avoid placing 2.5" SATA HDD Enclosure near magnetic devices (such as a mobile phone), high-voltage devices (such as a hair dryer), or near a heat source (such as the dashboard of a car or anywhere 2.5" SATA HDD Enclosure will be subject to direct sunlight).
- The operating system may NOT detect 2.5" SATA HDD Enclosure if it does not support the interface of your device. If so, installation of an appropriate driver or additional equipment in the host computer may be required.
- Ensure that only a 2.5" SATA Hard Disk Drive (HDD) is installed. Attempting to install any other HDD may damage the 2.5" SATA HDD Enclosure Kit.

## Getting Started

Please review the System Requirements and Package Contents for your particular model. For best results, please read all the instructions provided in the User's Manual prior to attempting installation.

The installation instructions in this manual apply to the following models.

<ul style="list-style-type: none"><li>• 2.5" USB 2.0</li></ul>	
<ul style="list-style-type: none"><li>• 2.5" eSATA/USB 2.0 Combo</li></ul>	

## System Requirements

### PC

- 266MHz or faster CPU (Microsoft Vista requires a minimum 800MHz CPU)
- 64MB of RAM (Microsoft Vista requires a minimum 512MB of RAM)
- Microsoft Windows 2000, XP, 2003, or Vista
- One available USB 2.0, or eSATA port (depending on model)

### Mac

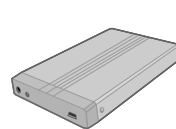
- Macintosh PowerPC or Intel Core Duo processor
- 64MB of RAM (Mac OS X 10.4 requires 256MB of RAM)
- Mac OS 9.X or higher (PowerPC) / Mac OS X 10.4 (Intel Core Duo)
- One available USB 2.0, or eSATA port (depending on model)

## Package Contents

Please review the package contents for each model.

### USB2.0 HDD Enclosure Package Contents

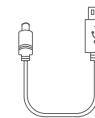
- Enclosure x 1
- USB-A to mini B cable x 1
- DC Jack to USB-A cable x 1
- Quick Start Guide
- HDD Fastening Screws x 4



USB 2.0 Enclosure



USB-A to mini B Cable



DC Jack to USB-A Cable



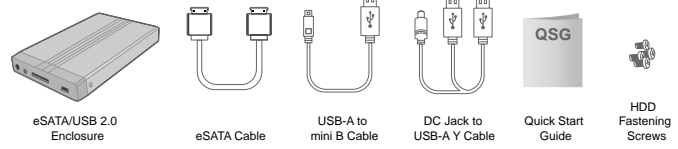
Quick Start Guide



HDD Fastening Screws

## eSATA/USB 2.0 HDD Enclosure Package Contents

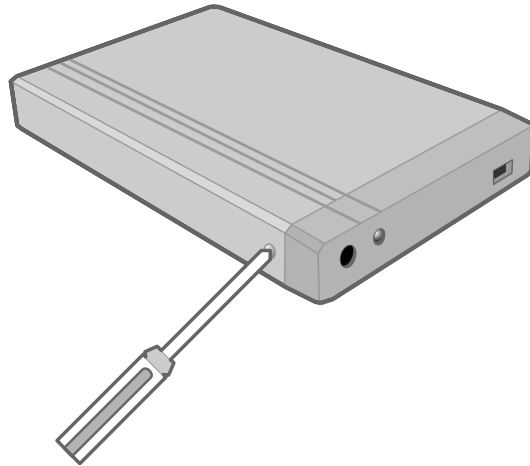
- Enclosure x 1
- eSATA cable x 1
- USB-A to mini B cable x 1
- DC Jack to USB-A Y cable x 1
- Quick Start Guide
- HDD Fastening Screws x 4



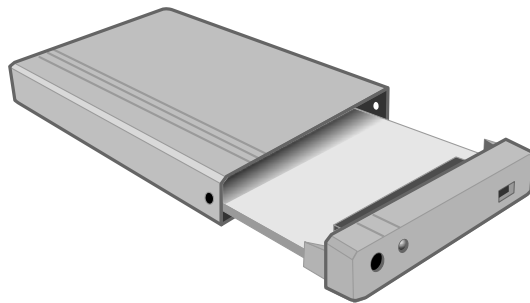
## Installing the HDD

Install the HDD by completing the following steps.

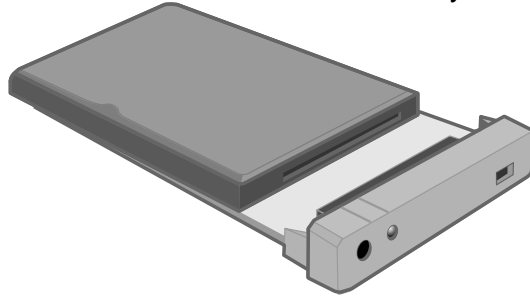
- 1) Remove the screws from each side from the front panel.



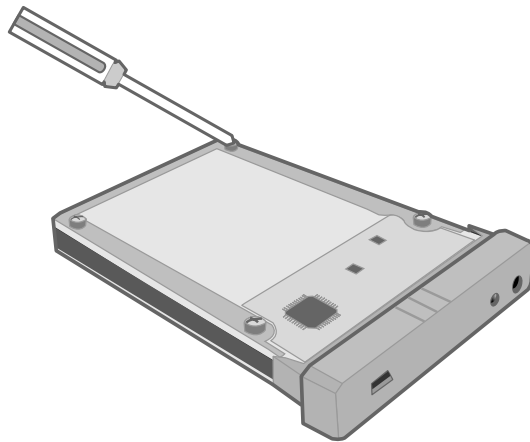
- 2) Slide the HDD tray out of Enclosure.



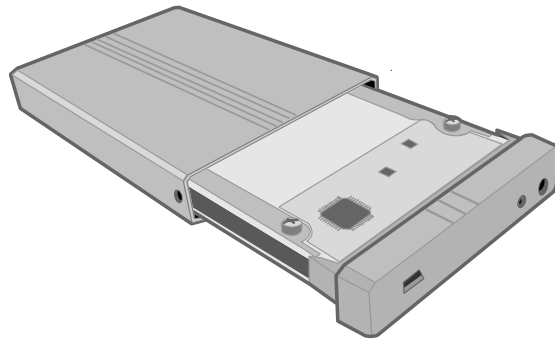
- 3) Slide the 2.5" SATA HDD into the HDD tray



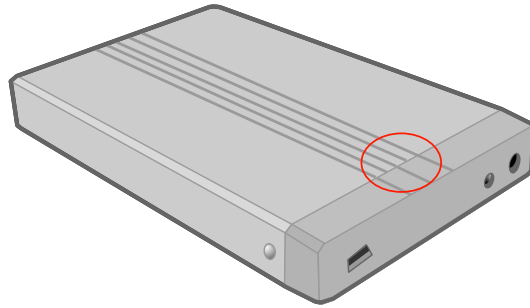
- 4) Locate the four HDD fastening screws included in the Enclosure package. Turn the Enclosure bottom side up. Fasten the HDD to the HDD tray by inserting the screws using a Phillips screwdriver.



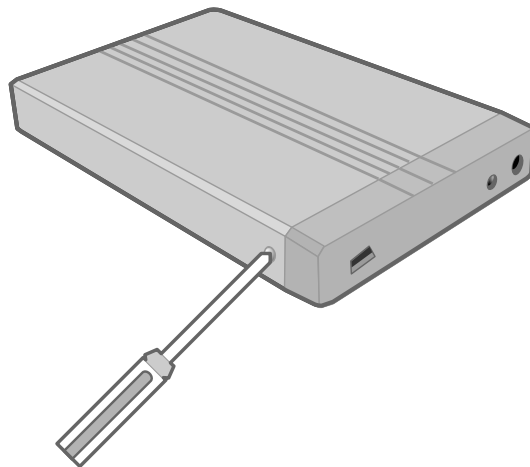
- 5) Slide the assembled HDD tray into the Enclosure housing bottom side up.



- 6) Ensure that the guide marks on the panel are properly aligned with the guide marks on the Enclosure housing.



- 7) Fasten the front panel to the Enclosure housing by replacing the screws removed in step 1.

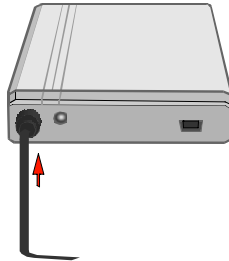


The 2.5" SATA HDD Enclosure is now ready for connection to a Host Computer.

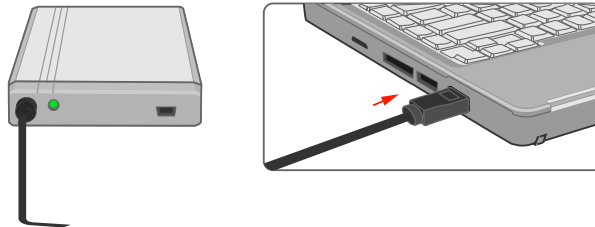
## Connecting the 2.5" SATA HDD Enclosure to a Host

### USB 2.0 model

- 1) Connect the DC Jack to USB cable to the DC IN port **FIRST**. Ensure that the DC Jack to USB cable is connected before attempting to connect the USB 2.0 cable to the host computer.

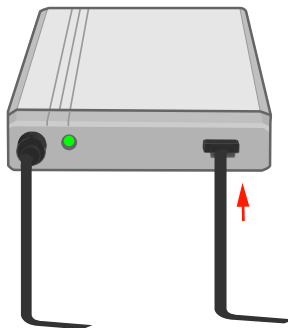


- 2) Connect the available end of the DC Jack to USB 2.0 cable to the host computer. The LED is now active.



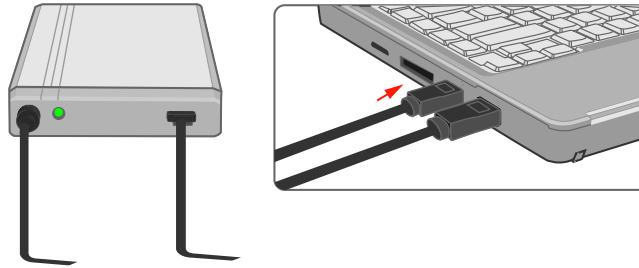
**Note:** To better protect your HDD, it is highly recommended that you first connect the DC-Jack to USB power cable to the 2.5" SATA HDD Enclosure. If the USB A to mini B data cable is connected to the computer host and then connected to the 2.5" SATA HDD Enclosure, the HDD motor will continually attempt to spin up. If the amount of power supplied by the host is insufficient to spin up the HDD a feedback loop will occur, potentially damaging the HDD.

- 3) Connect the USB A to mini B cable to the 2.5" SATA HDD Enclosure.





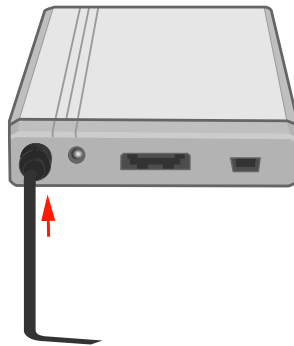
- 4) Connect the free end of the USB A to mini B cable to an available USB 2.0 port on the host computer.



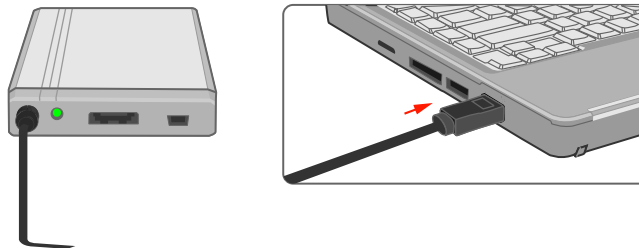
You are now ready to use your 2.5" SATA HDD Enclosure.

### eSATA/USB 2.0 model

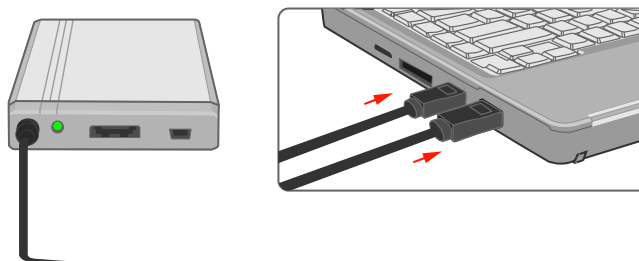
- 1) Connect the DC Jack to USB Y-cable to the DC IN port **FIRST**.



- 2) If the USB 2.0 connector is selected for data transfer, connection to only one USB port on the host computer via Y-cable is required. The LED now is active.

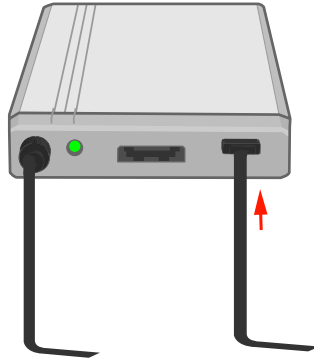


- 3) If the eSATA connector is selected for data transfer, connection to two USB ports on the host computer via Y-cable is required. The LED is now active.

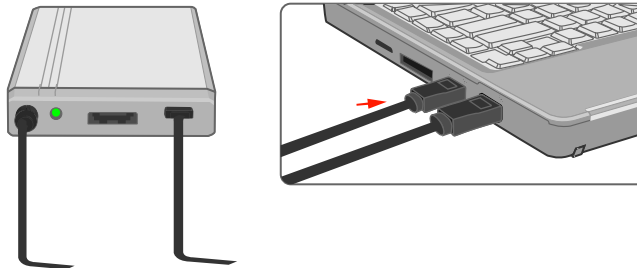


**Note:** To protect your HDD, it is highly recommended that you first connect the DC-Jack to USB power cable to the 2.5" SATA HDD Enclosure. If the USB A to mini B data cable is connected to the computer host and then connected to the 2.5" SATA HDD Enclosure, the HDD motor will continually attempt to spin up. If the amount of power supplied by the host is insufficient to spin up the HDD a feedback loop will occur, potentially damaging the HDD.

- 4) Connect the mini USB 2.0 or eSATA cable to the 2.5" SATA HDD Enclosure.



- 5) Connect the free end of the USB 2.0 or eSATA cable to the appropriate port of the computer host.

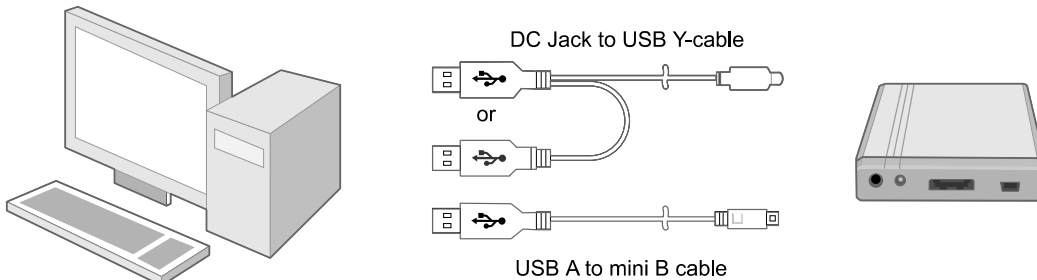


You are now ready to use your 2.5" SATA HDD Enclosure.

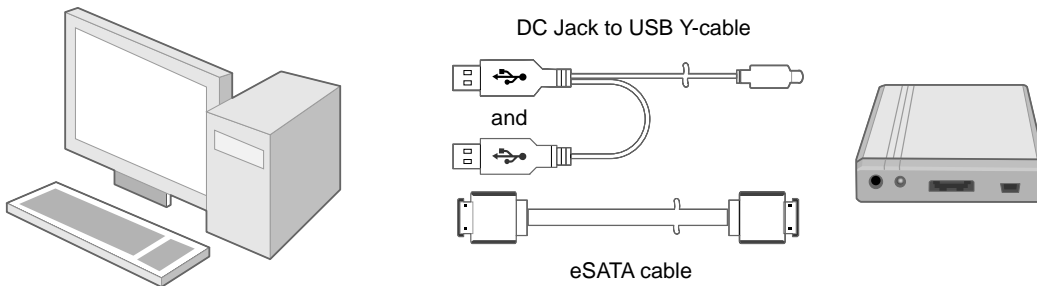
**Note:** 2.5" SATA HDD Enclosure should only be connected to a computer via one interface at a time. Connection of 2.5" SATA HDD Enclosure to a computer via two or more interface connectors, i.e., USB 2.0 and eSATA, is not recommended.

## **Using the DC Jack to USB Y-cable (USB 2.0/eSATA model only)**

The DC Jack to USB Y-cable provides 2 USB type-A connectors and 1 DC Jack connector. If USB 2.0 connection is selected as the primary data transfer interface, insert only one USB type-A connector of the Y-cable into the host.



If eSATA connection is chosen as the primary data transfer interface, both USB type-A connectors must be inserted into two available USB ports on the computer.



**Note:** The host computer must supply a minimum total power of 1 A (or 5 Watts) via two USB ports to the 2.5" SATA HDD Enclosure by USB bus. If adequate power is not supplied by the USB ports of the host computer, an AC/DC adapter must be used. An AC/DC power adapter is NOT included in this package. For best performance, ensure that an AC/DC power adapter capable of supplying 5V/2A is available.

## ***Notices and Classifications***

### **FCC-B Radio Frequency Interference Statement**

This device complies with part 15 of the FCC rules. Operation is subject to the following two conditions:

This device may not cause harmful interference.

This device must accept any interference received, including interference that may cause undesired operation.

Note: This equipment has been tested and found to comply with the limits for a class B digital device, pursuant to part 15 of the FCC rules. These limits are designed to provide reasonable protection against harmful interference when the equipment is operated in a commercial environment. This equipment generates uses and can radiate radio frequency energy and, if not installed and used in accordance with the instruction manual, may cause harmful interference to radio communications.